

# Astronomical Street Light Automation

Auto ON-OFF As Per Summer - Winter - Monsoon  
Sunrise - Sunset Time Variations

**Save Energy**

Lights ON at Sunset

Lights OFF at Sunrise

Sensorless Technology





## Street Light Timer

Automatically Powers ON & OFF  
Exactly @ Sunset & Sunrise



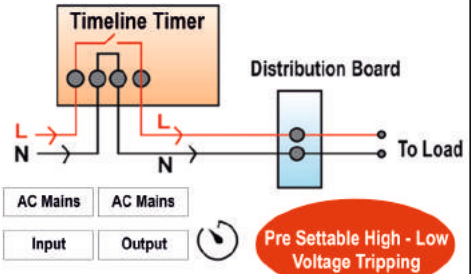
### FEATURES

- Easily installable wall mountable design. Single unit can drive up to 450 Lamps (Total 5 KW)
- Lamps connected to multiple power meters, 1ph/3ph can be powered by single unit using extra contactor
- Designed to handle Indian voltage fluctuations & surges
- Multi-info LCD Display, Bi-Colour LED shows Date, Clock Time, On Time & Off Time, Load ON etc.
- Can be configured as either pre-settable OR Astronomical mode + Hi-Low Voltage Safety
- User Friendly - Very easy to setup
- Bypass Mode available for MANUALLY Switching ON / OFF the power to the Load / Lamps
- Saves Power by punctually maintaining ON-OFF timings of the Load / Lamps

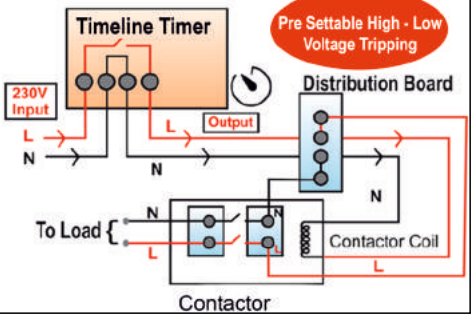
### SPECIFICATIONS

- Input voltage Range : 90V to 440V A.C, 50/60 Hz
- Max. Contact Rating : 28A @ 230V A.C (5KW)
- Capable for applying offsets, basement & night off mode (For most ultimate practical use)
- Power failure memory backup - 10 years
- User pre-settable Hi-Low Voltage Trip levels to protect the lights
- PASSES Stringent Tests as per IEC Standards viz. Surge, Burst, Dips, Voltage Fluctuations, Harmonics etc.

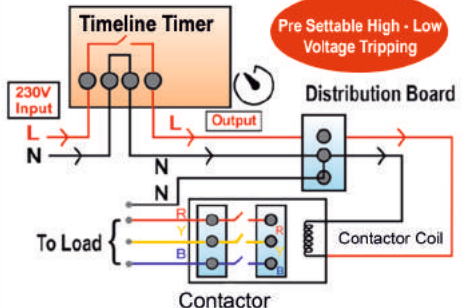
### Single Phase Connections // (Up to 5 KW)



### Single Phase Connections // Load Capacity as per Contactor Rating



### Three Phase Connections // Load Capacity as per Contactor Rating



# Lighting Automation



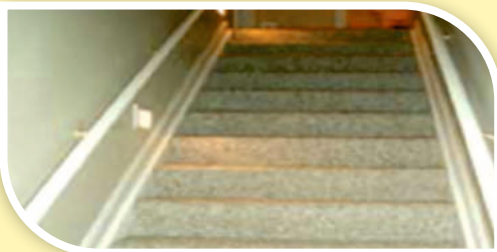
Sensorless  
Sunrise - Sunset  
Tracking



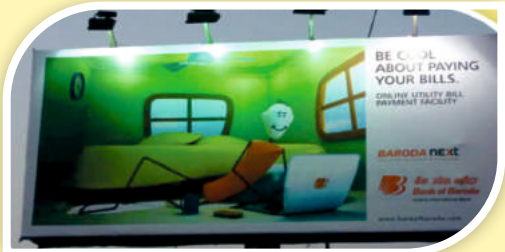
**Street Lights**



**Parking / Garden Lamps**



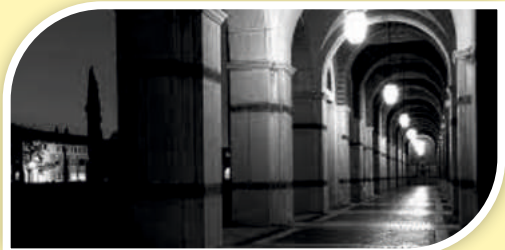
**Staircase Lights**



**Hoarding Lights**



**Sports Complex, Stadium**



**Lobby / Corridor Lights**

# HOW TO OPERATE

Model	Set Key	Up Key	Next Key	Set + Up (Bypass Mode)	Press All The 3 Keys Together
Timeline Combo (Astronomical Mode - Callander Based)	<ul style="list-style-type: none"> <li>- Press for 6 sec to enter Basement Mode.</li> <li>- Press for 6 sec. again to recover from Basement Mode.</li> </ul>	Press to Increase flashing digit	Press to accept Values entered	<ul style="list-style-type: none"> <li>- Press together for 2-3 Sec. to power On or Off the Load Manually. Now the Timer is in BYPASS MODE</li> <li>- To recover from bypass mode press again</li> </ul>	Press for 5 Sec. to set Current Date & Time
Timeline Combo (Pro Mode - ON/Off Time Pre-settable)	Press for 2 - 3 Sec. to Set On Off Time	Press to Increase flashing digit	Press to accept Values entered	<ul style="list-style-type: none"> <li>- Press together for 2-3 Sec. to power On or Off the Load Manually. Now the Timer is in BYPASS MODE</li> <li>- To recover from bypass mode press again</li> </ul>	Press for 5 Sec. to set Current Date & Time
Timeline School Bell / Multi Event Timer (You can set upto 50 bells / ON-OFF events in a day)	<ul style="list-style-type: none"> <li>- Press for 2 - 3 Sec. to Set Weekly schedule of events day - wise. Default setting is "X".</li> <li>To enable event press UP key to change to ✓ tick mark.</li> </ul>	<ul style="list-style-type: none"> <li>- Press to enable or disable event on the day of the week.</li> <li>- Press to Increase flashing digit</li> <li>- Press for 15s to set School Bell or Multievent Mode</li> </ul>	<ul style="list-style-type: none"> <li>- Press to accept Values/ setting entered and move on to next setting or to complete the setting cycle.</li> </ul>	<ul style="list-style-type: none"> <li>- Press together for 2 - 3 Sec. to power On or Off the Load Manually. Now the Timer is in BYPASS MODE</li> <li>- To recover from bypass mode press again</li> </ul>	Press for 5 Sec. to set Current Date & Time
Timeline Budget (Astronomical-Callander Based, Without Display)	Key Not Available	Key Not Available	Key Not Available	- Press BYPASS KEY 5 times for manual BYPASS. To recover from BYPASS, press it again for 5 times.	Not Available

In One Product

Separate Products



## Contact Details :

+91 70660 63397, +91 87880 70722,  
+91 93254 98321  
business@thuse.net  
An ISO 9001:2015 Certified Company

## Mfd. By:

Thuse Electronics P. Ltd.  
Plot No. 33A, Sector 7, PCNTDA,  
Bhosri MIDC, Bhosri, Pune-26 INDIA  
www.thuse.net



RQ91/11370